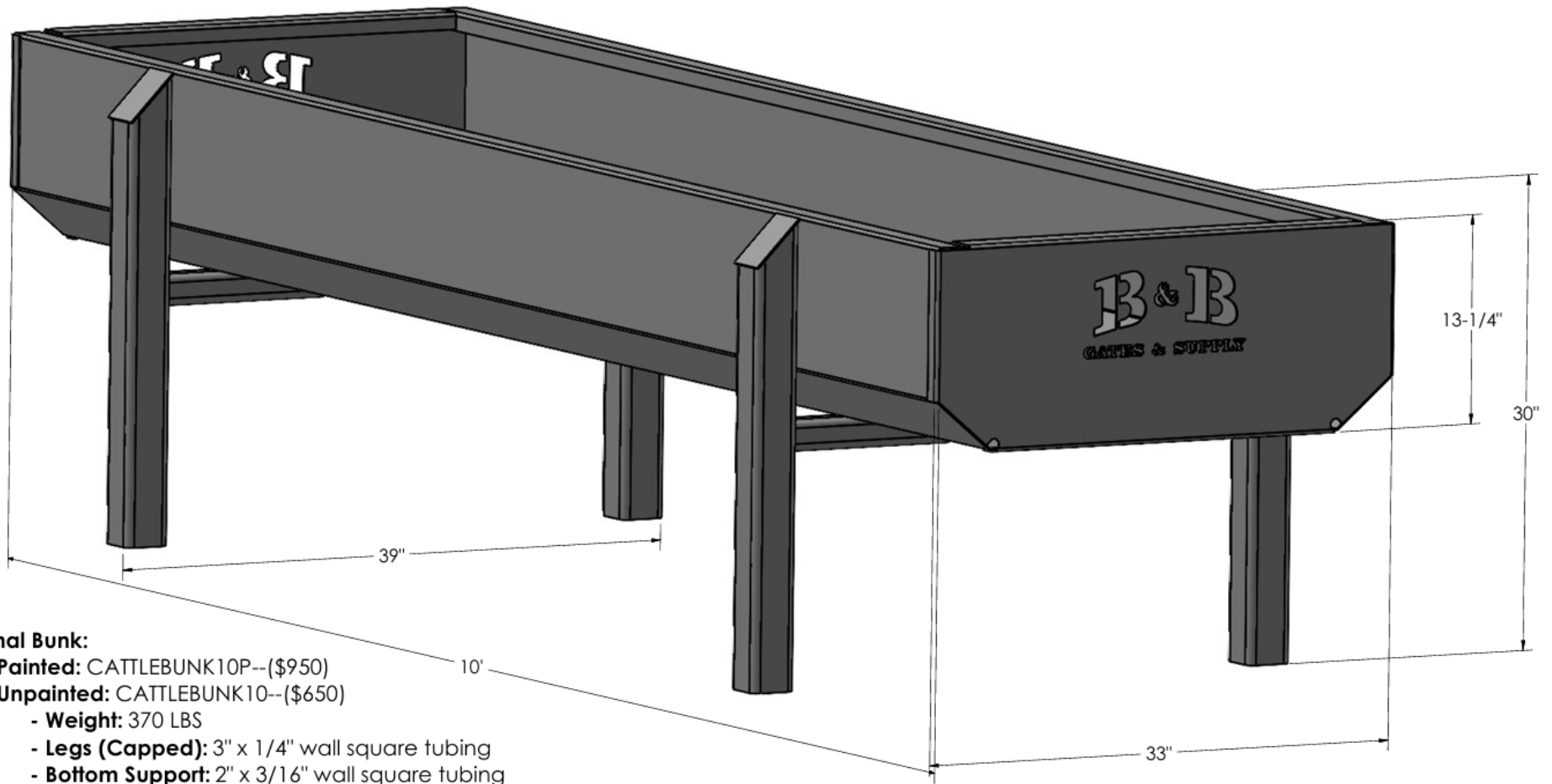


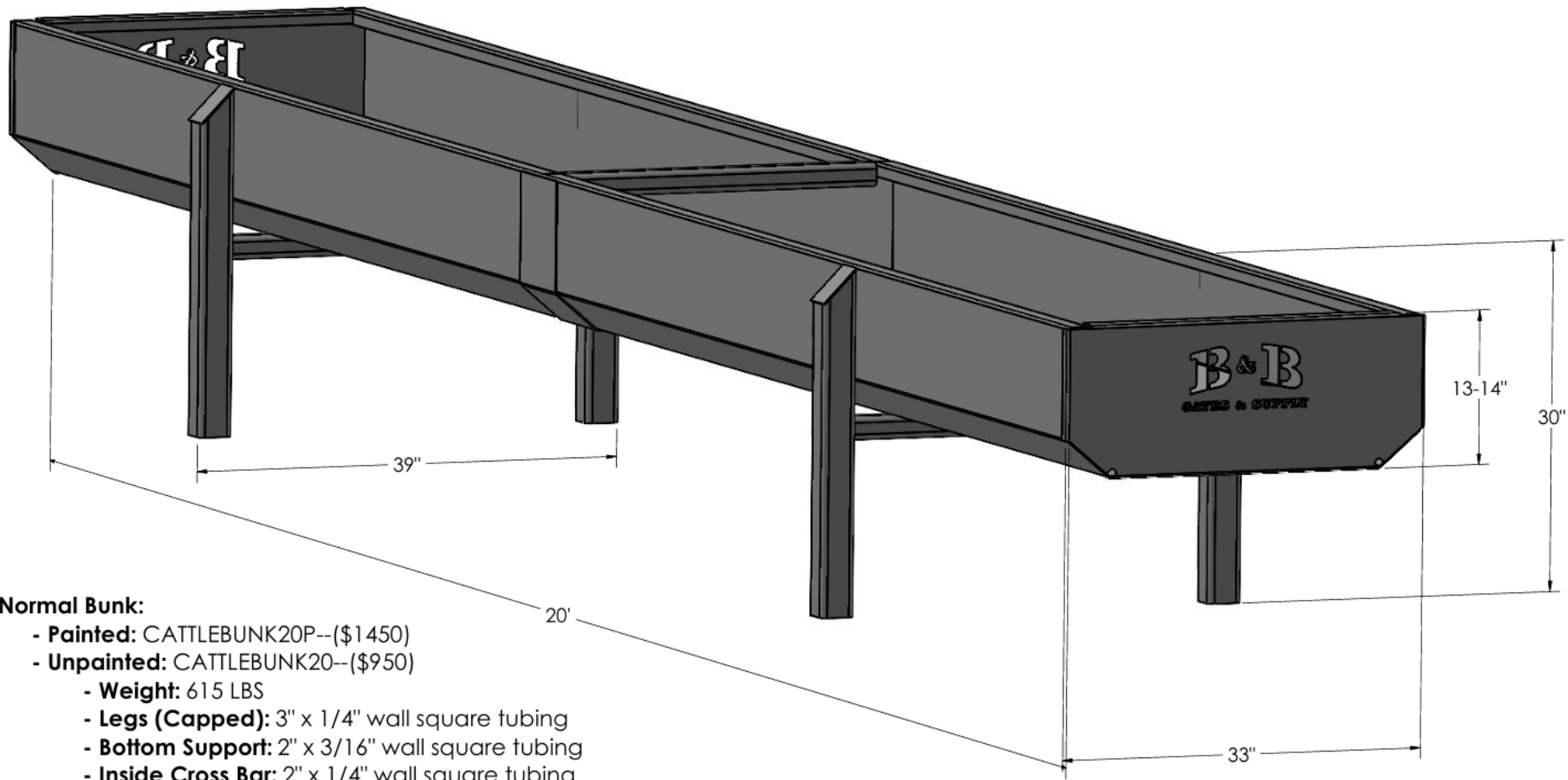
10' Calf Bunk:

- **Painted:** CALFBUNK10P--(\$690)
- **Unpainted:** CALFBUNK10--(\$450)
- **Weight:** 245 LBS
- **Legs (Capped):** 2" x 1/4" wall square tubing
- **Bottom Support:** 2" x 1/4" wall square tubing



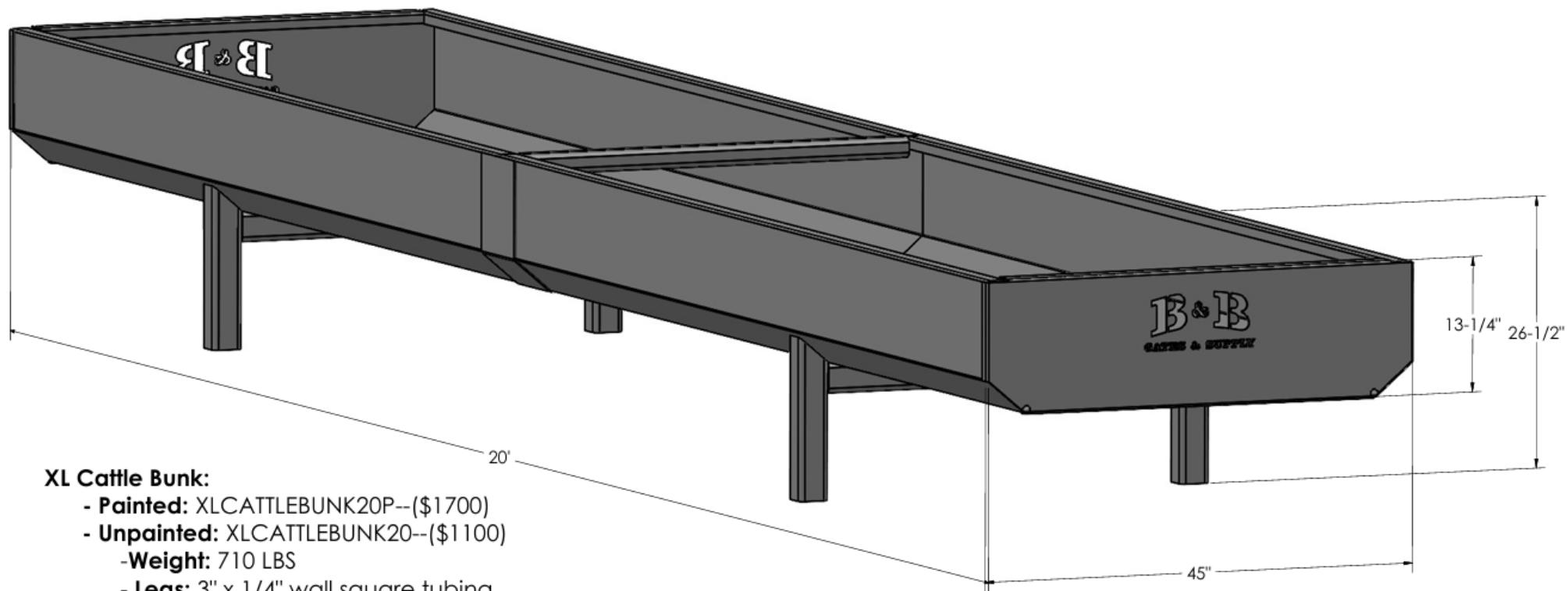
10' Normal Bunk:

- **Painted:** CATTLEBUNK10P--(\$950)
- **Unpainted:** CATTLEBUNK10--(\$650)
- **Weight:** 370 LBS
- **Legs (Capped):** 3" x 1/4" wall square tubing
- **Bottom Support:** 2" x 3/16" wall square tubing



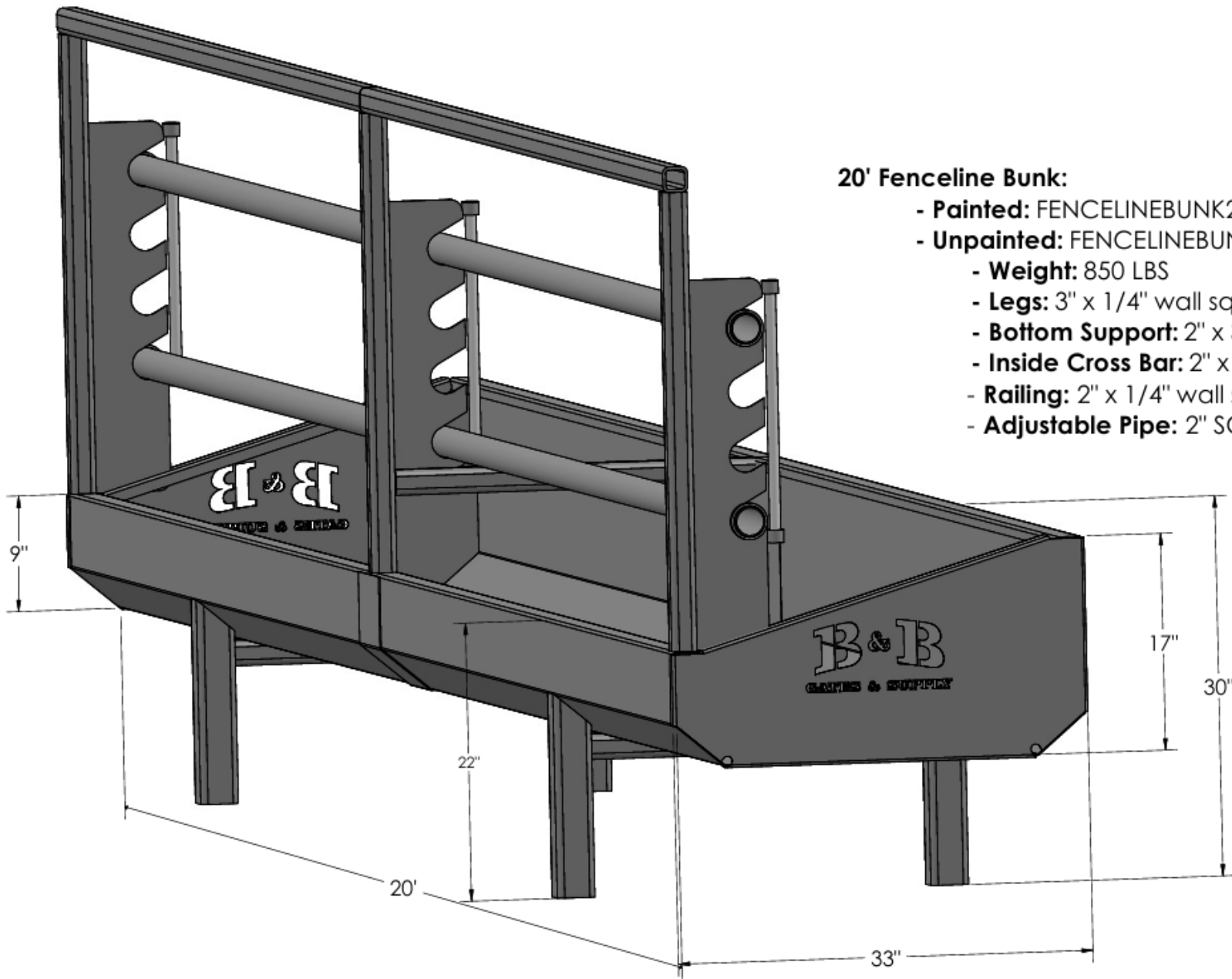
20' Normal Bunk:

- **Painted:** CATTLEBUNK20P--(\$1450)
- **Unpainted:** CATTLEBUNK20--(\$950)
 - **Weight:** 615 LBS
 - **Legs (Capped):** 3" x 1/4" wall square tubing
 - **Bottom Support:** 2" x 3/16" wall square tubing
 - **Inside Cross Bar:** 2" x 1/4" wall square tubing



XL Cattle Bunk:

- **Painted:** XLCATTLEBUNK20P--(\$1700)
- **Unpainted:** XLCATTLEBUNK20--(\$1100)
- **Weight:** 710 LBS
- **Legs:** 3" x 1/4" wall square tubing
- **Bottom Support:** 2" x 3/16" wall square tubing
- **Inside Cross Bar:** 2" x 1/4" wall square tubing



20' Fenceline Bunk:

- **Painted:** FENCELINEBUNK20P--(\$1850)
- **Unpainted:** FENCELINEBUNK20--(\$1350)
- **Weight:** 850 LBS
- **Legs:** 3" x 1/4" wall square tubing
- **Bottom Support:** 2" x 3/16" wall square tubing
- **Inside Cross Bar:** 2" x 1/4" wall square tubing
- **Railing:** 2" x 1/4" wall square tubing
- **Adjustable Pipe:** 2" SCH 5 Pipe